

LEAN

MANUFACTURING PRODUCTS

Rolling Pallet Cart

Designed to fit standard 40" x 48" shipping pallet (but can modify dimensions for custom projects)

Strong, welded steel construction comfortably holds 3000 pounds, evenly distributed

Comfortable working height for operators

Solid steel top surface

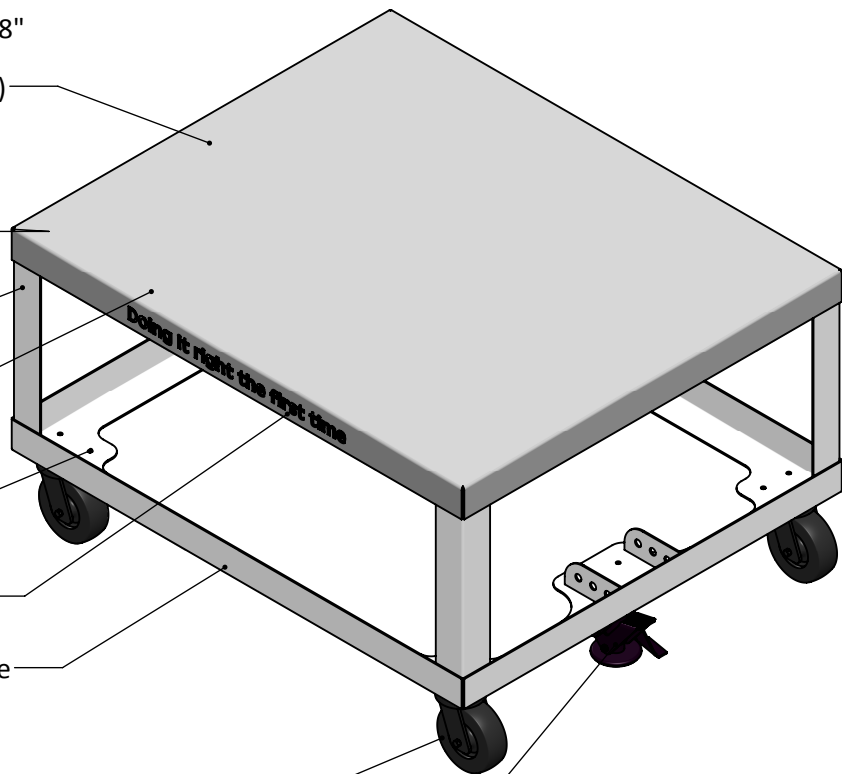
Casters bolted to frame for easy maintenance

Customizable slogan or name laser cut into side walls

Powdercoated to color of choice

Mobility allows workers to efficiently position pallets in a convenient place that may be difficult to reach with a fork truck. Mobility also allows the cart to travel with the WIP to the next cell.

Foot brake improves safety



Have you considered improving the organization throughout your manufacturing processes? Is there opportunity to streamline your work flow? In addition to those two opportunities, we also want to help you and your company use vertical space efficiently, create visible and mobile "next job" staging areas, and reduce the stress of your shop environment.

Ask us for more information today! Standard or custom products, we're here to help you become more efficient and profitable. It's fun to simultaneously create job security, reduce stress, eliminate waste, and be more profitable.

Visit Us: www.LeanManufacturingProducts.com

Email Us: info@leanmfgproducts.com

Call us: (262) 875-3071

We are excited for the opportunity to help you and your company succeed during your lean initiatives.